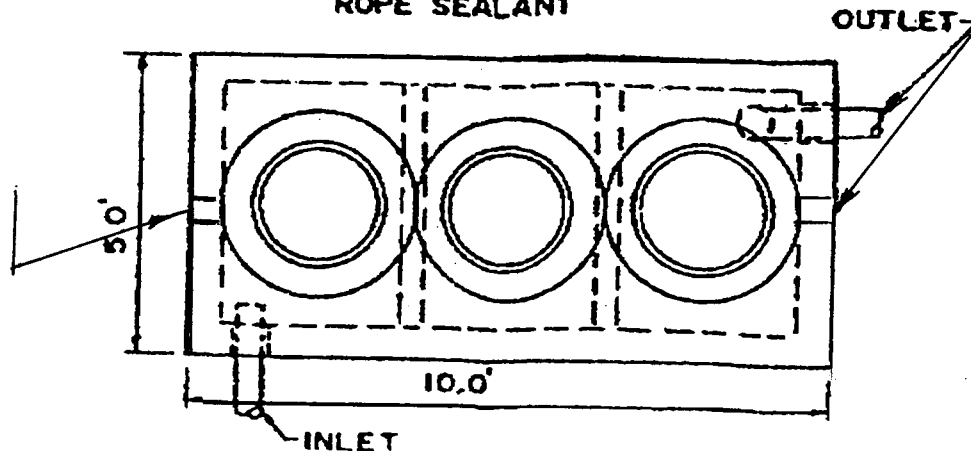


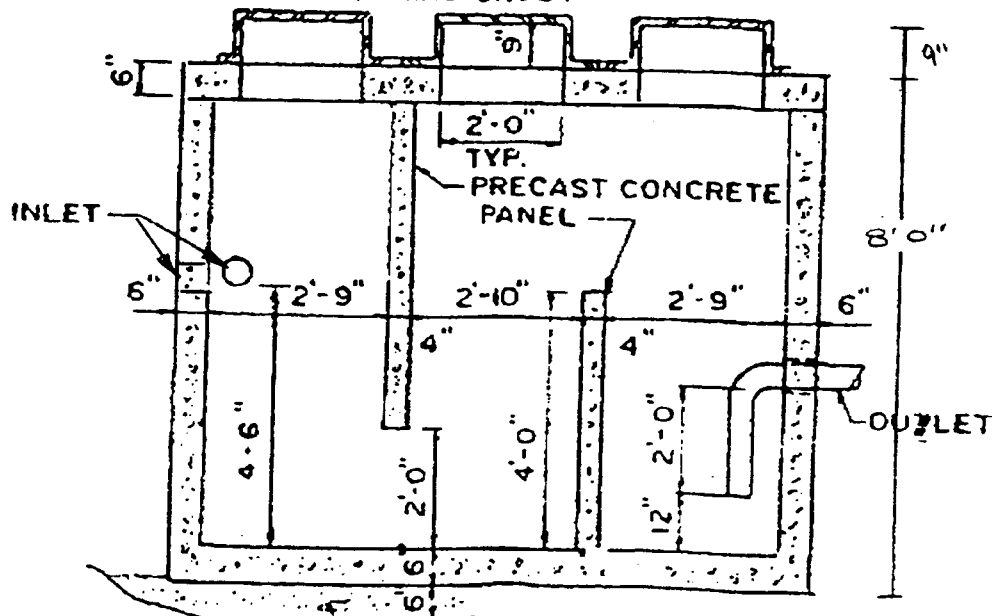
NOTE: SET FRAMES IN BUTYRE ROPE SEALANT



NOTE  
 MANHOLES AND GREASE TRAP  
 SHALL BE PROVIDED WITH CAST  
 IRON FRAMES AND SOLID LID  
 HAVING CONSEALED PICKHOLE.  
 A WATERTIGHT GASKET EQUAL  
 TO NEENAH R-1772-B OR EAST  
 JORDEN 1022-1. THE WORD  
 SANITARY SHALL BE CAST IN  
 THE LID.

NOTE: THE SPACE BETWEEN THE  
 STRUCTURE WALL AND THE  
 INLET AND OUTLET PIPES  
 SHALL BE COMPLETELY FILLED  
 WITH A NON-SHRINKING GROUT

NOTE  
 8" MAX. ADJUSTING RINGS



COMPACT CRUSHED STONE

UNDISTURBED EARTH