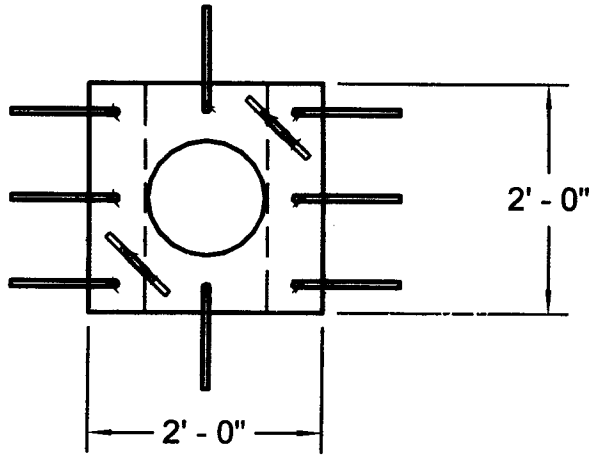
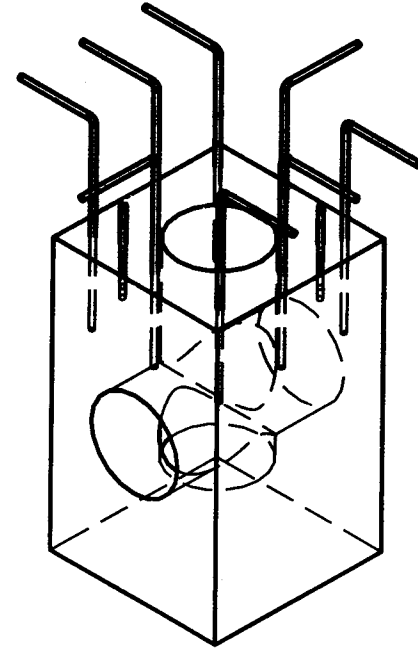
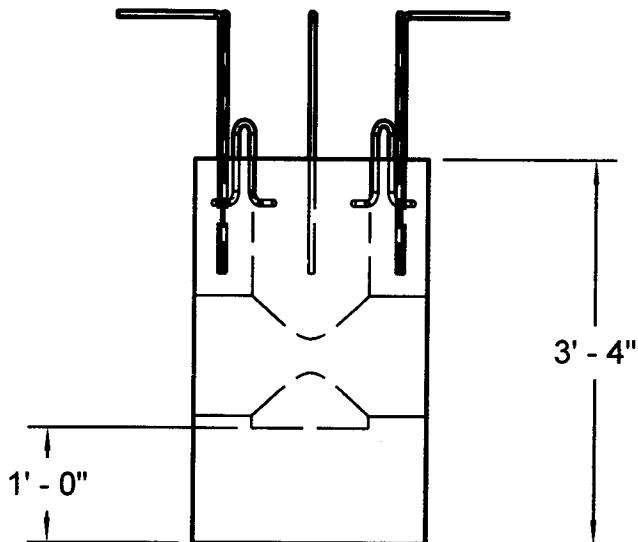
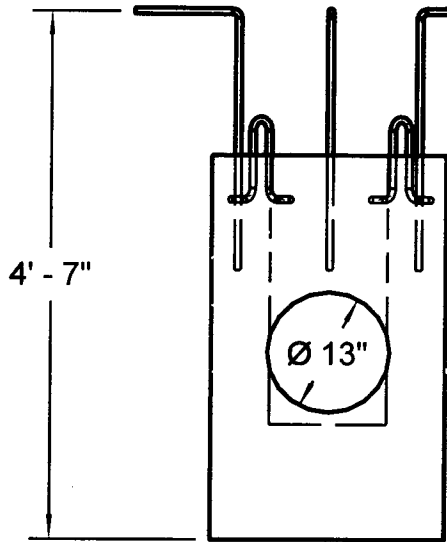


DESCRIPTION	DATE	APPROVED



#5 REBAR (TYP)



Note:

Material manufactured and supplied by DiCicco Concrete Products meet or exceed all requirements and specifications for precast concrete manhole and adjusting ring sections ASTM designation C478 ISTHA, CDOT, INDOT and IDOT standards and details.



DRAINAGE STRUCTURE

TYPE
AIRPORT INSPECTION
HOLE