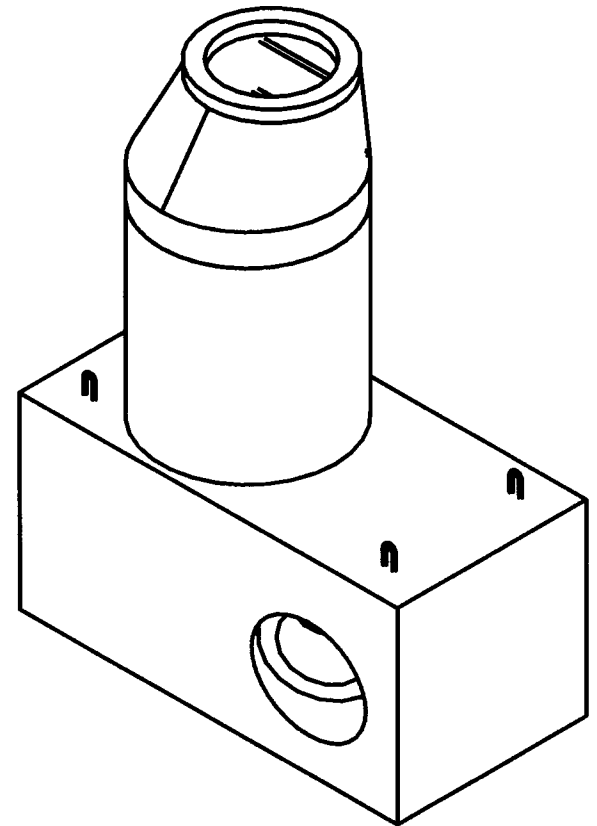
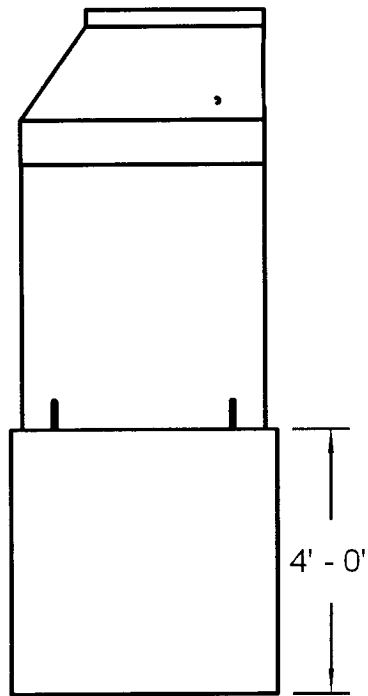
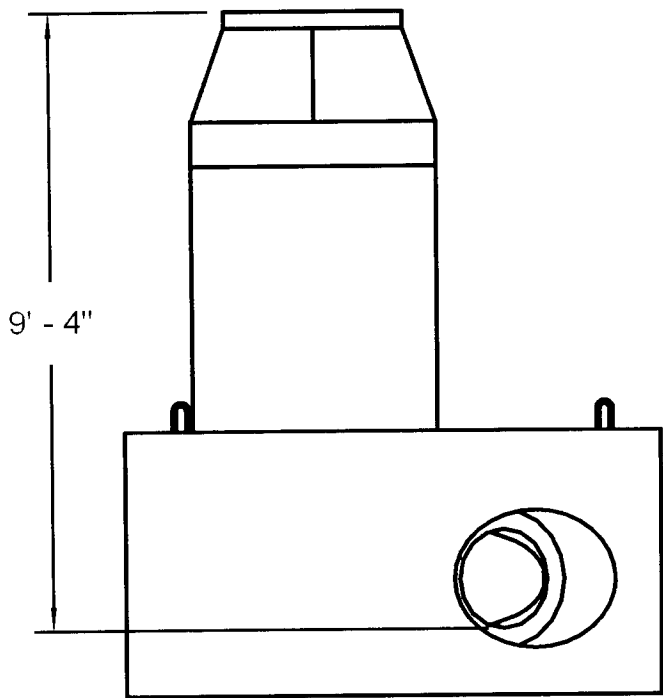
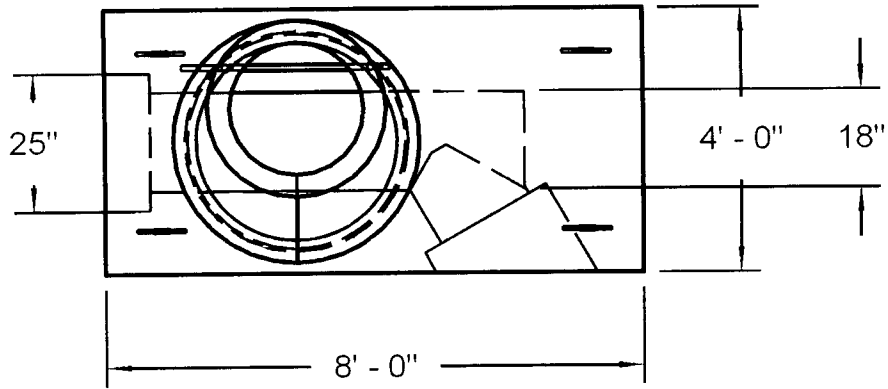




REVISION HISTORY

REV	DESCRIPTION	DATE	APPROVED



CHICAGO TYPB MANHOLE

SIZE B	DWG NO	REV
SCALE NTS	SHEET	