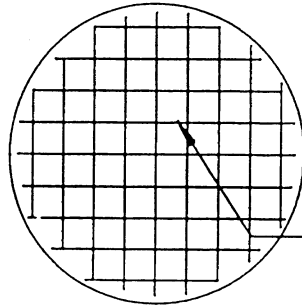
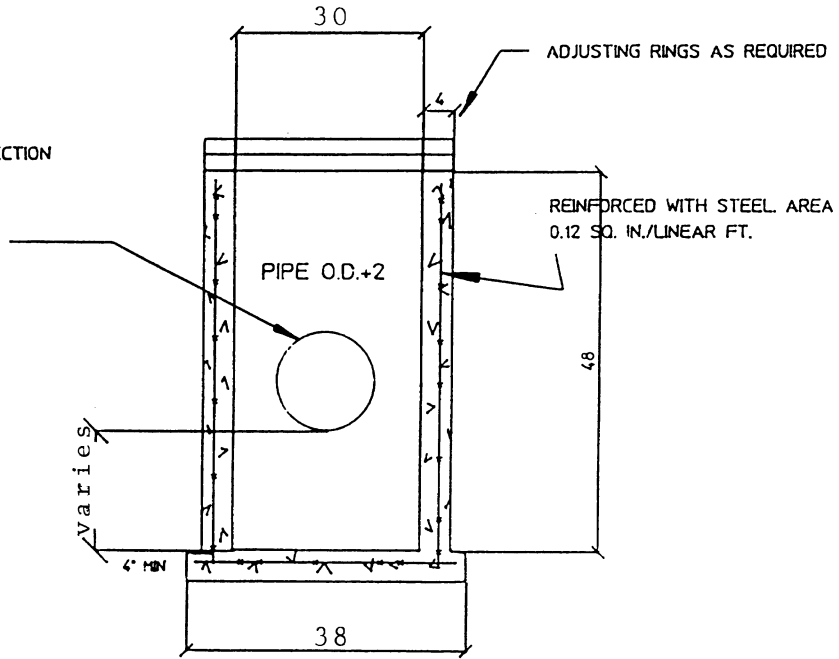


MANHOLE TO PIPE CONNECTION  
TO BE GROUTED



AREA 0.12 SQ IN./LINEAR  
FEET BOTH WAYS

NOTE:  
INLET CONFORMS  
TO ASTM C-478

DI CICCIO CONCRETE PRODUCTS INC., CO  
128 EAST 14TH STREET  
CHICAGO HEIGHTS, ILL 60411  
PHONE 708-754-5690  
FAX 708-754-5132

TITLE:

30" TYPIC CATCH BASIN

DATE:

4/1/95

SCALE:

N.T.S.

NUMBER:

CB24-4